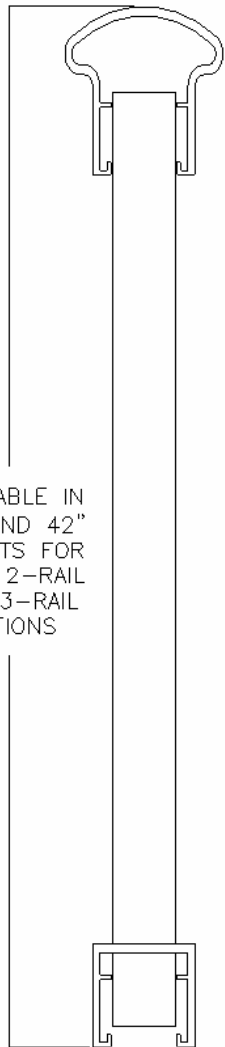


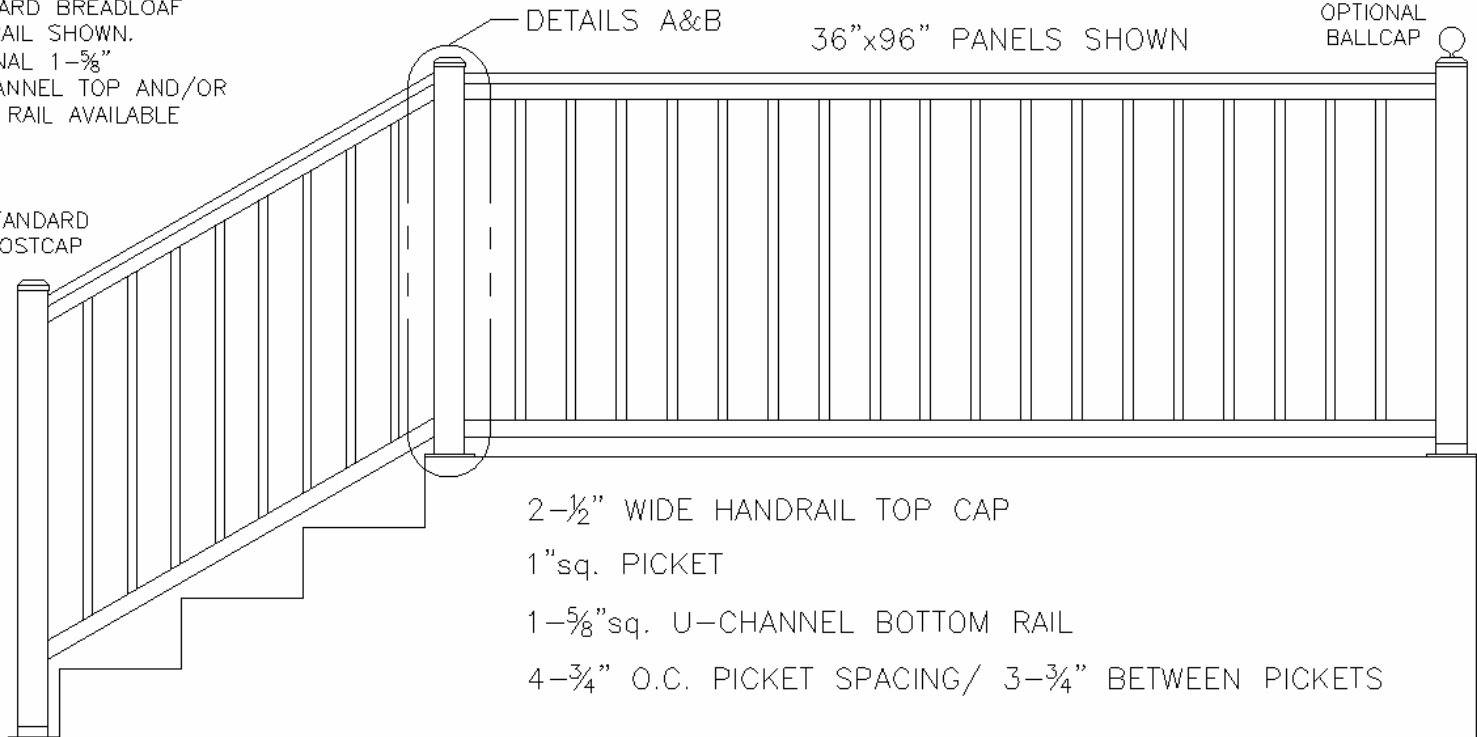
SIDE VIEW

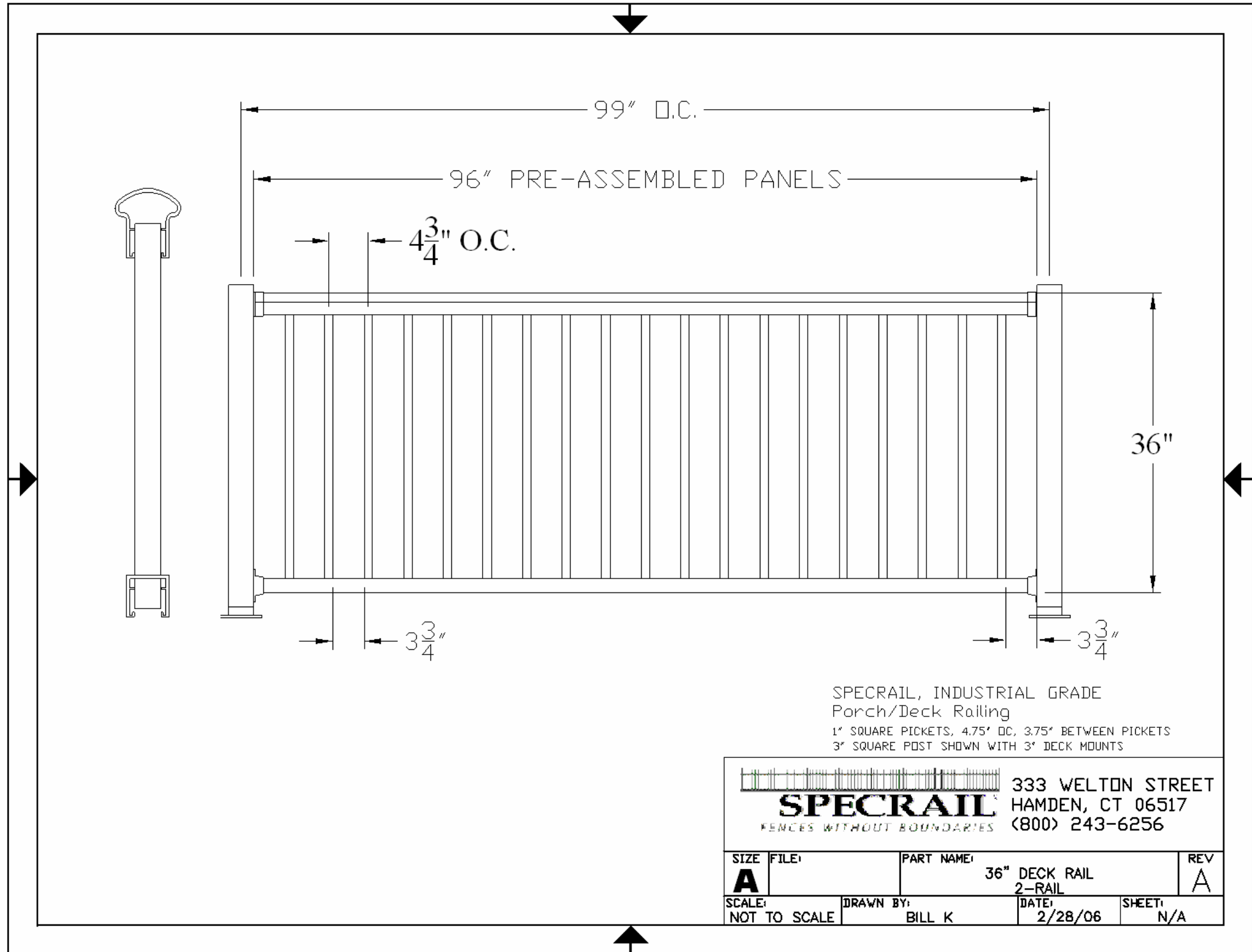


AVAILABLE IN 36" AND 42" HEIGHTS FOR BOTH 2-RAIL AND 3-RAIL OPTIONS

STANDARD BREADLOAF TOP RAIL SHOWN. OPTIONAL 1-5/8" U-CHANNEL TOP AND/OR THIRD RAIL AVAILABLE

STANDARD POSTCAP





99" O.C.

96" PRE-ASSEMBLED PANELS

4 3/4" O.C.

36"

3 3/4"

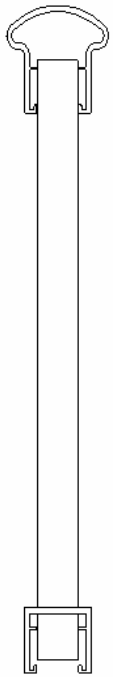
3 3/4"

SPECRAIL, INDUSTRIAL GRADE
 Porch/Deck Railing
 1" SQUARE PICKETS, 4.75' O.C., 3.75' BETWEEN PICKETS
 3" SQUARE POST SHOWN WITH 3" DECK MOUNTS

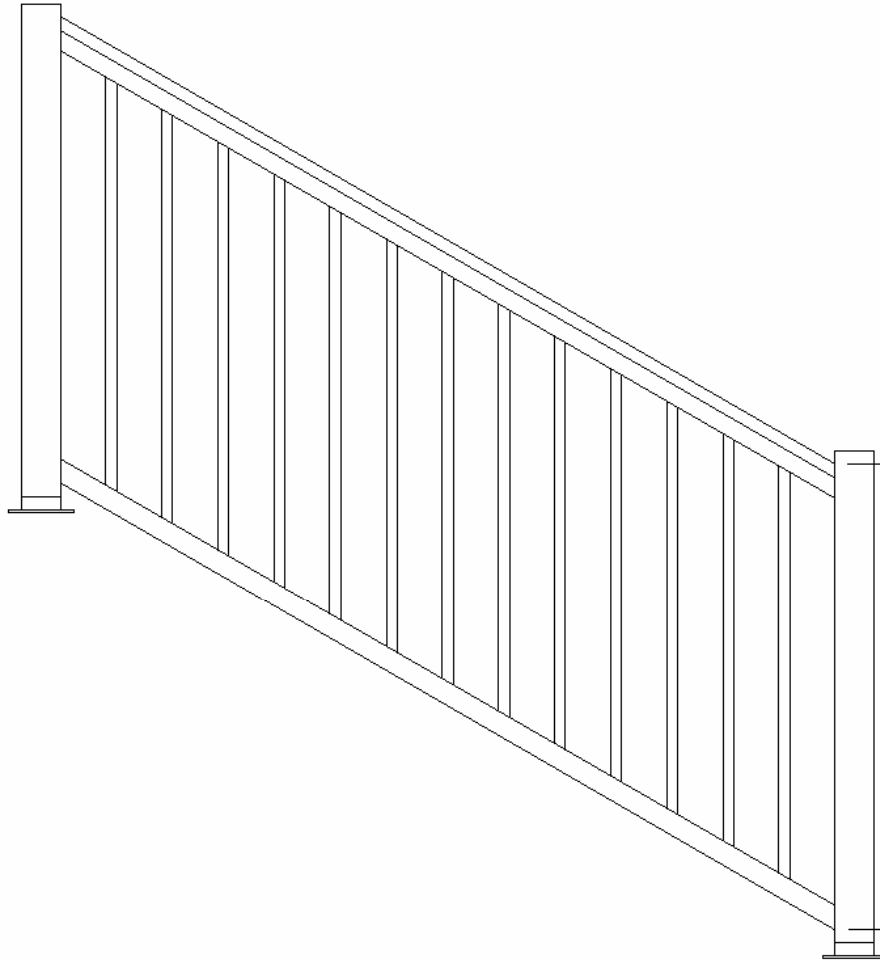


333 WELTON STREET
 HAMDEN, CT 06517
 (800) 243-6256

SIZE A	FILE:	PART NAME: 36" DECK RAIL 2-RAIL	REV A
SCALE: NOT TO SCALE	DRAWN BY: BILL K	DATE: 2/28/06	SHEET: N/A



3"



1"

36"

SPECRAIL, INDUSTRIAL GRADE
Porch/Deck Railing

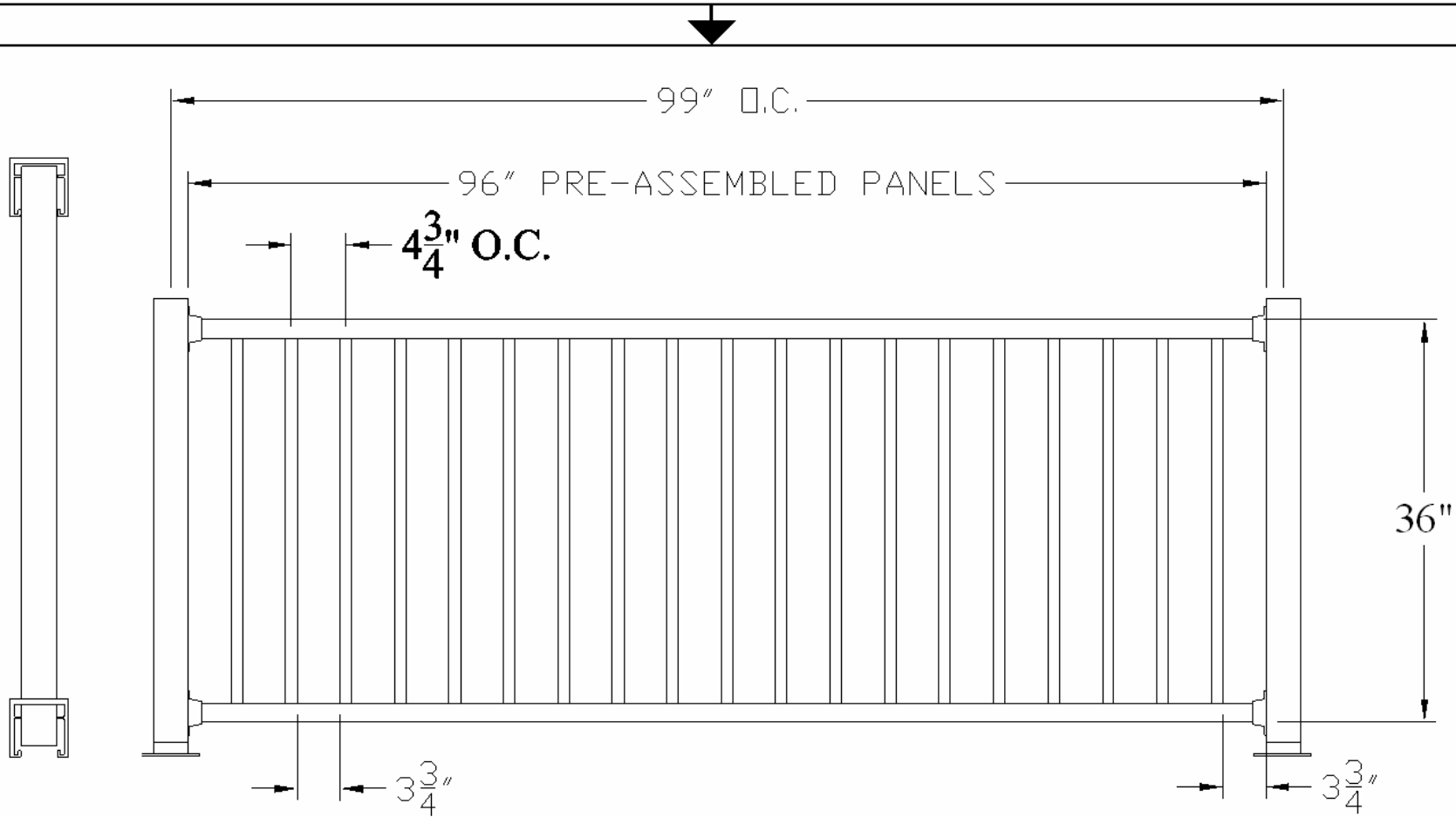
1" SQUARE PICKETS, 4.75" OC, 3.75" BETWEEN PICKETS
3" SQUARE POSTS SHOWN WITH 3" DECK MOUNTS



333 WELTON STREET
HAMDEN, CT 06517
(800) 243-6256


SPECRAIL
FENCES WITHOUT BOUNDARIES

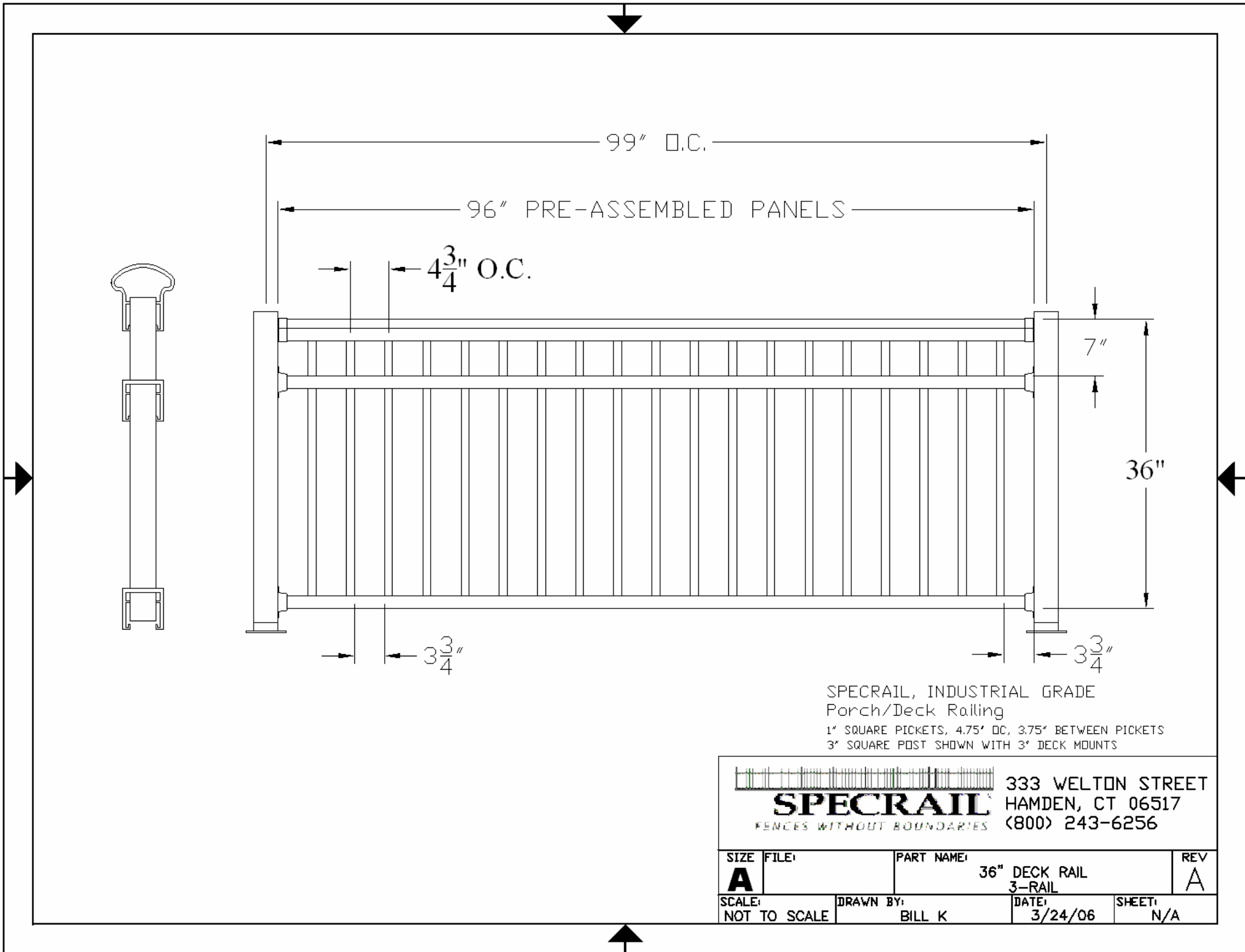
SIZE A	FILE:	PART NAME: 36" RACKED HAND RAIL 2-RAIL VERSION	REV A
SCALE: NOT TO SCALE	DRAWN BY: BILL K	DATE: 2/28/06	SHEET: N/A




NOTE: USE HANDRAIL SPACING W/ INDUSTRIAL STRINGER TOP AND BOTTOM

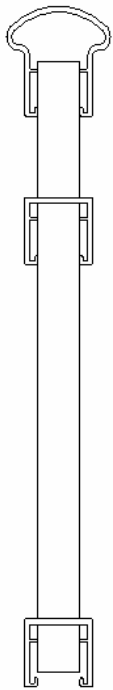
SPECRAIL, INDUSTRIAL GRADE
 Porch/Deck Railing
 1" SQUARE PICKETS, 4.75' OC, 3.75' BETWEEN PICKETS
 3" SQUARE POST SHOWN WITH 3" DECK MOUNTS

		333 WELTON STREET HAMDEN, CT 06517 (800) 243-6256	
SIZE: A	FILE:	PART NAME: 36" DECK RAIL CUSTOM PANEL	REV: A
SCALE: NOT TO SCALE	DRAWN BY: BILL K	DATE: 2/28/06	SHEET: N/A

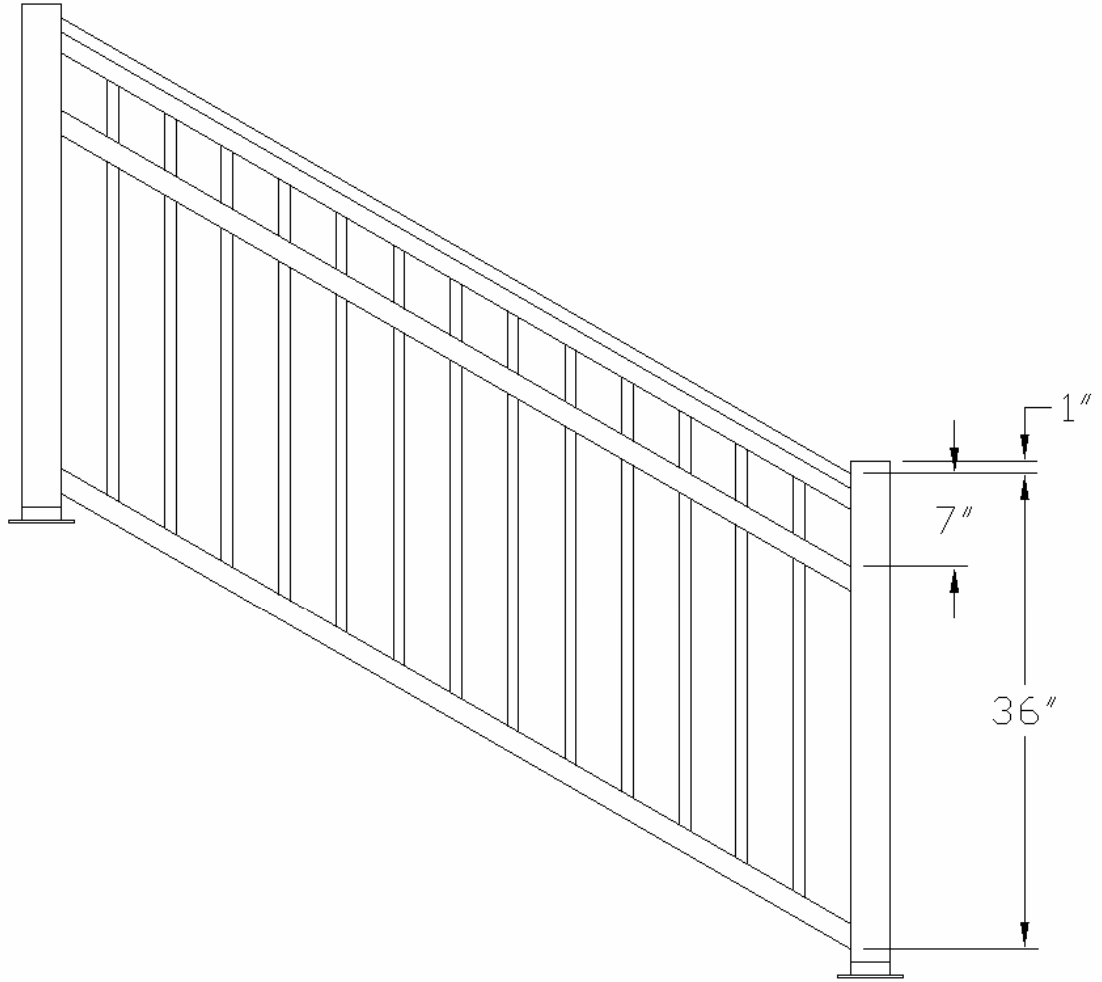


SPECRAIL, INDUSTRIAL GRADE
 Porch/Deck Railing
 1" SQUARE PICKETS, 4.75' O.C., 3.75' BETWEEN PICKETS
 3" SQUARE POST SHOWN WITH 3" DECK MOUNTS

		333 WELTON STREET HAMDEN, CT 06517 (800) 243-6256	
SIZE: A	FILE:	PART NAME: 36" DECK RAIL 3-RAIL	REV: A
SCALE: NOT TO SCALE	DRAWN BY: BILL K	DATE: 3/24/06	SHEET: N/A



3"



SPECRAIL, INDUSTRIAL GRADE
Porch/Deck Railing

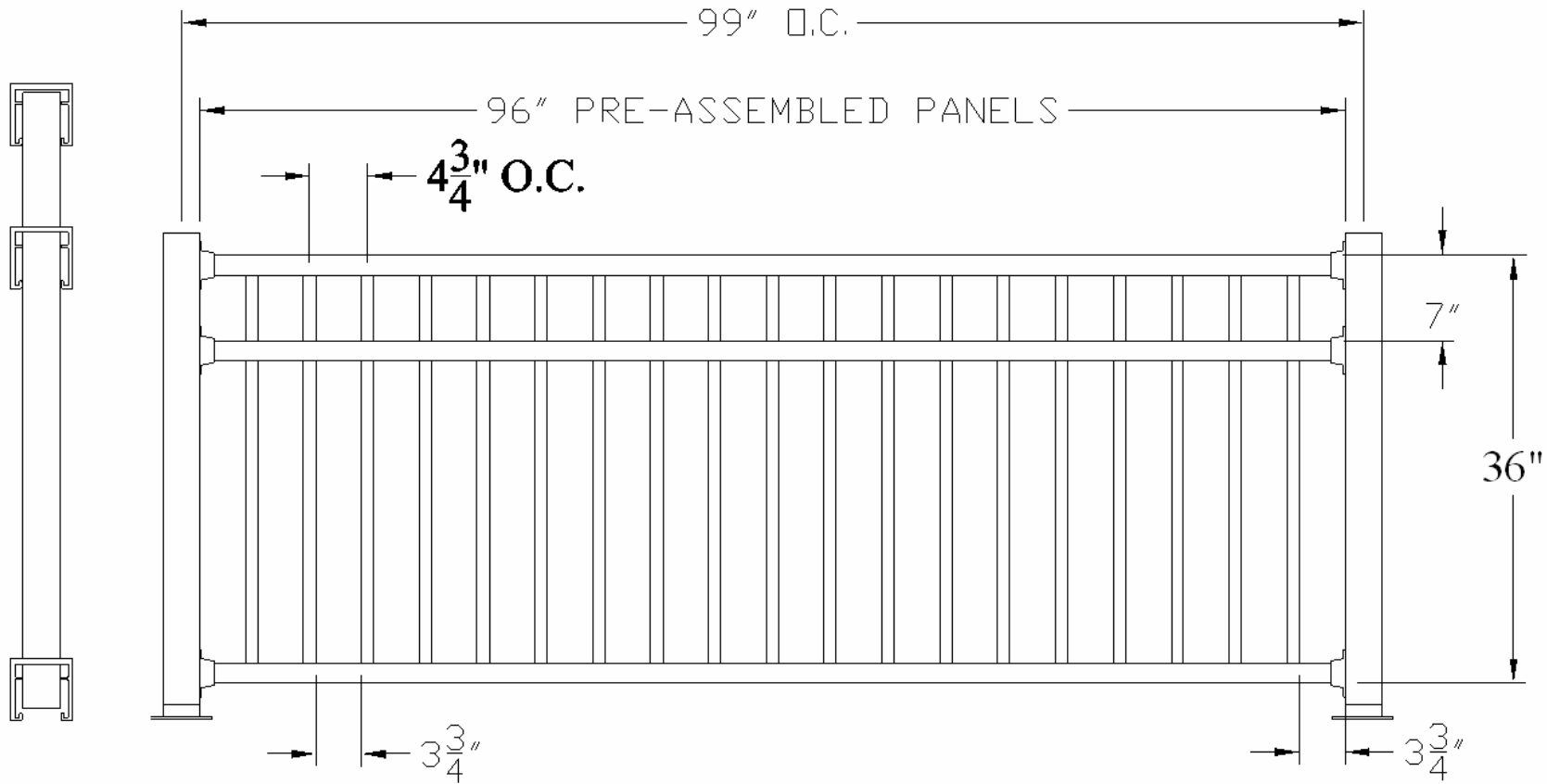
1" SQUARE PICKETS, 4.75" OC, 3.75" BETWEEN PICKETS
3" SQUARE POSTS SHOWN WITH 3" DECK MOUNTS



333 WELTON STREET
HAMDEN, CT 06517
(800) 243-6256

SPECRAIL
FENCES WITHOUT BOUNDARIES

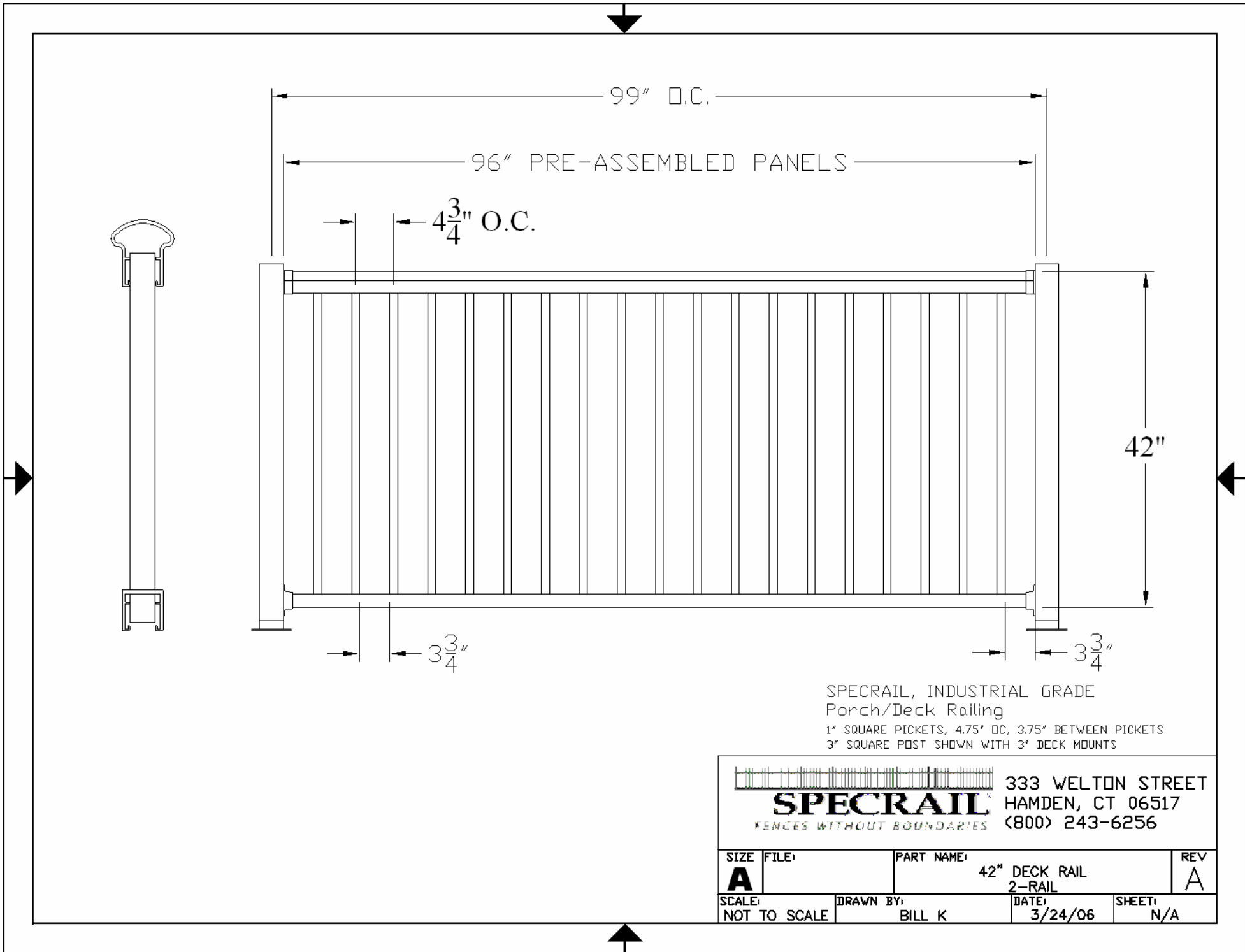
SIZE A	FILE:	PART NAME: 36" RACKED HAND RAIL 3-RAIL VERSION	REV A
SCALE: NOT TO SCALE	DRAWN BY: BILL K	DATE: 2/28/06	SHEET: N/A



NOTE: USE HANDRAIL SPACING W/ INDUSTRIAL STRINGER TOP AND BOTTOM

SPECRAIL, INDUSTRIAL GRADE
 Porch/Deck Railing
 1" SQUARE PICKETS, 4.75' OC, 3.75' BETWEEN PICKETS
 3" SQUARE POST SHOWN WITH 3" DECK MOUNTS

		333 WELTON STREET HAMDEN, CT 06517 (800) 243-6256	
SIZE: A	FILE:	PART NAME: 36" DECK RAIL 3-RAIL CUSTOM PANEL	REV: A
SCALE: NOT TO SCALE	DRAWN BY: BILL K	DATE: 3/24/06	SHEET: N/A



99" O.C.

96" PRE-ASSEMBLED PANELS

4 $\frac{3}{4}$ " O.C.

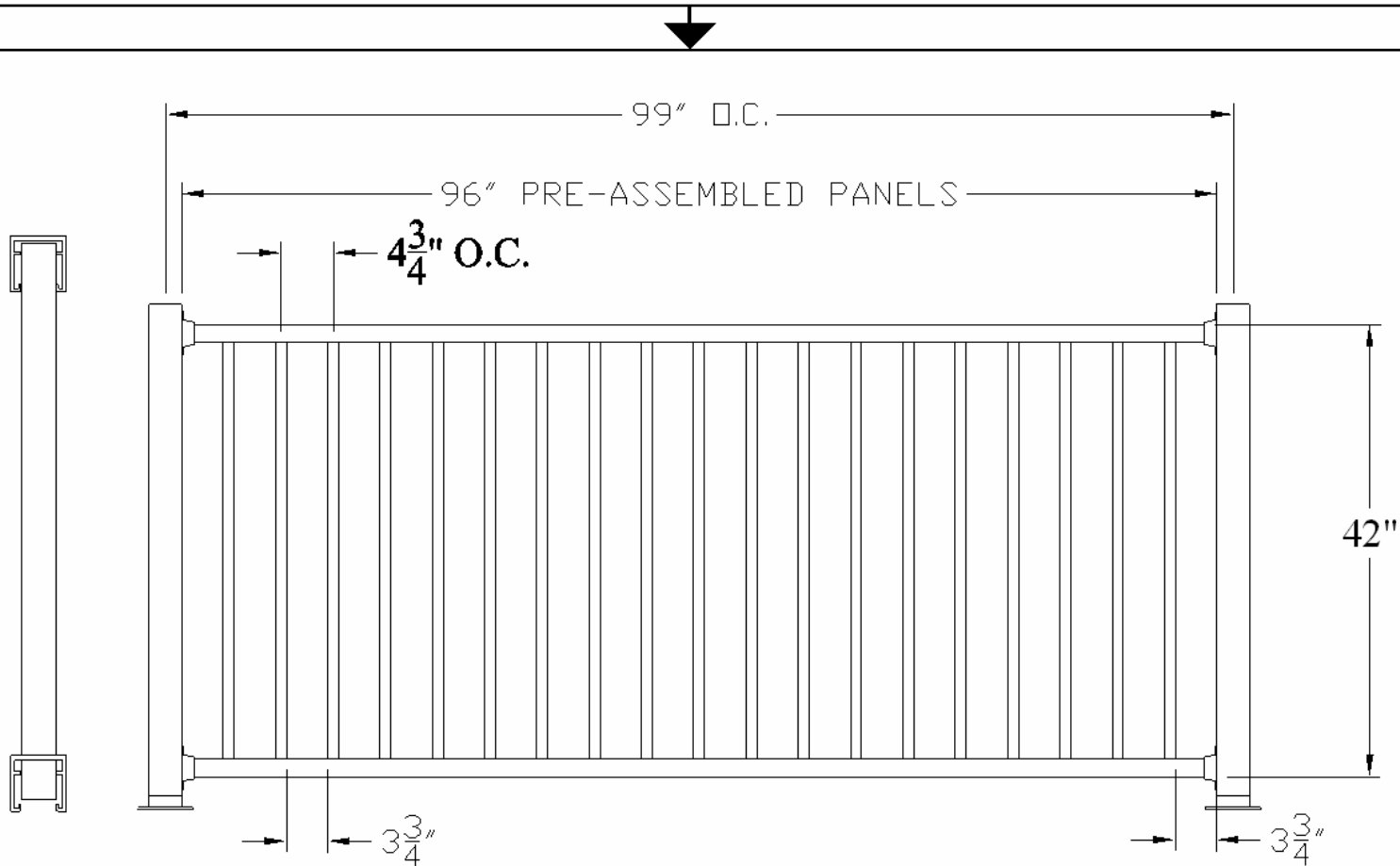
42"

3 $\frac{3}{4}$ "

3 $\frac{3}{4}$ "

SPECRAIL, INDUSTRIAL GRADE
 Porch/Deck Railing
 1" SQUARE PICKETS, 4.75" DC, 3.75" BETWEEN PICKETS
 3" SQUARE POST SHOWN WITH 3" DECK MOUNTS

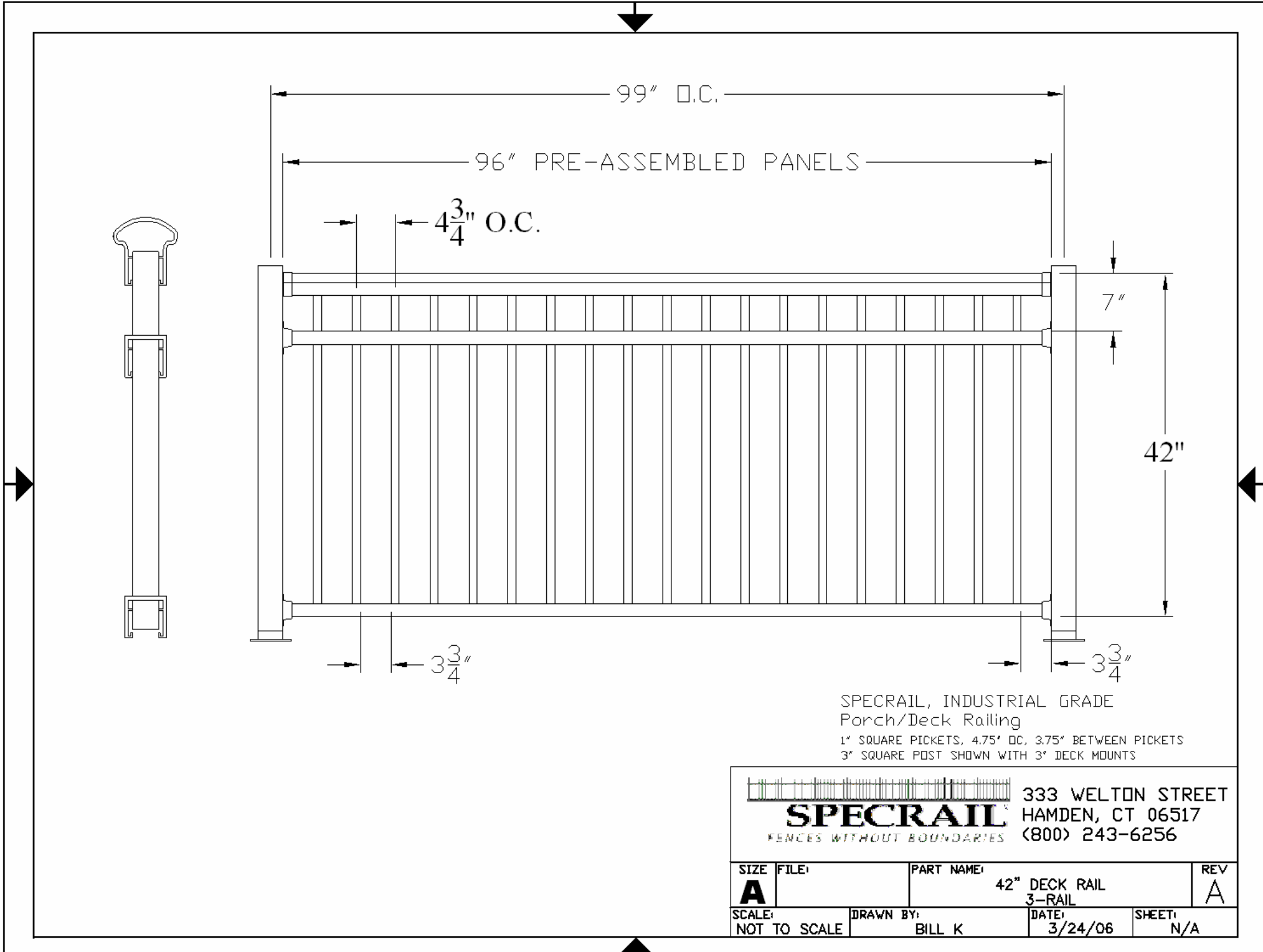
		333 WELTON STREET HAMDEN, CT 06517 (800) 243-6256	
SIZE: A	FILE:	PART NAME: 42" DECK RAIL 2-RAIL	REV: A
SCALE: NOT TO SCALE	DRAWN BY: BILL K	DATE: 3/24/06	SHEET: N/A



NOTE: USE HANDRAIL SPACING W/ INDUSTRIAL STRINGER TOP AND BOTTOM

SPECRAIL, INDUSTRIAL GRADE
 Porch/Deck Railing
 1" SQUARE PICKETS, 4.75' OC, 3.75' BETWEEN PICKETS
 3" SQUARE POST SHOWN WITH 3" DECK MOUNTS

		333 WELTON STREET HAMDEN, CT 06517 (800) 243-6256	
SIZE: A	FILE:	PART NAME: 42" DECK RAIL CUSTOM PANEL	REV: A
SCALE: NOT TO SCALE	DRAWN BY: BILL K	DATE: 2/28/06	SHEET: N/A



99" O.C.

96" PRE-ASSEMBLED PANELS

4 3/4" O.C.

7"

42"

3 3/4"

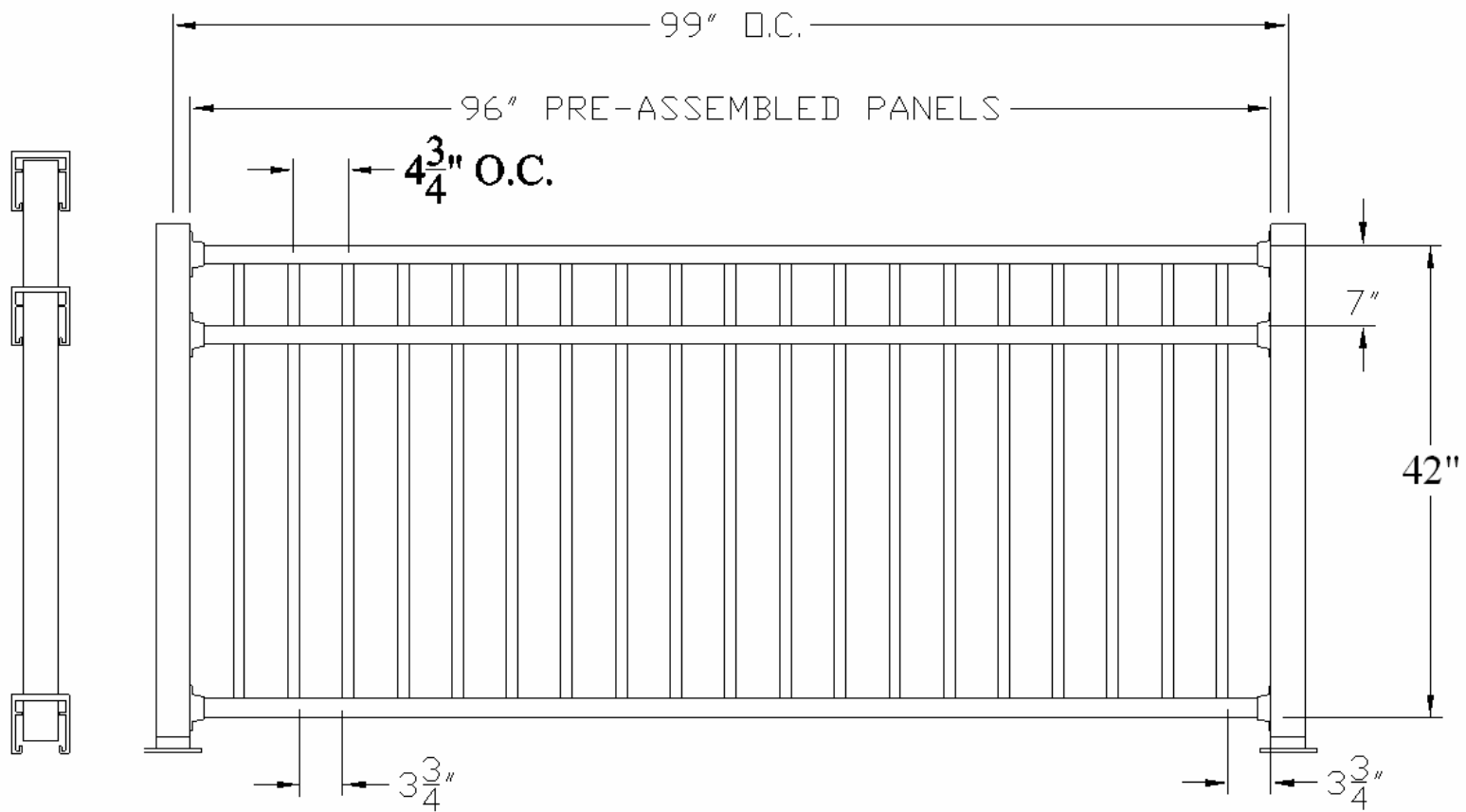
3 3/4"

SPECRAIL, INDUSTRIAL GRADE
 Porch/Deck Railing
 1" SQUARE PICKETS, 4.75" OC, 3.75" BETWEEN PICKETS
 3" SQUARE POST SHOWN WITH 3" DECK MOUNTS



333 WELTON STREET
 HAMDEN, CT 06517
 (800) 243-6256

SIZE A	FILE:	PART NAME: 42" DECK RAIL 3-RAIL	REV A
SCALE: NOT TO SCALE	DRAWN BY: BILL K	DATE: 3/24/06	SHEET: N/A



NOTE: USE HANDRAIL SPACING W/ INDUSTRIAL STRINGER TOP AND BOTTOM

SPECRAIL, INDUSTRIAL GRADE
Porch/Deck Railing

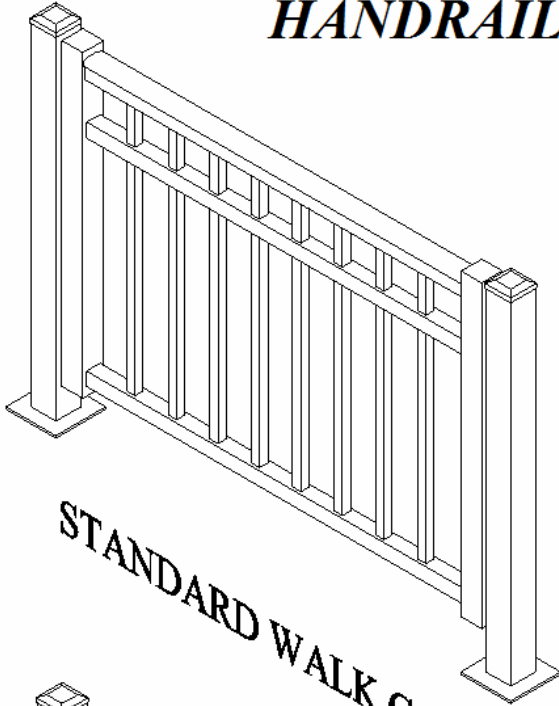
1" SQUARE PICKETS, 4.75" DC, 3.75" BETWEEN PICKETS
3" SQUARE POST SHOWN WITH 3" DECK MOUNTS



333 WELTON STREET
HAMDEN, CT 06517
(800) 243-6256

SIZE A	FILE:	PART NAME: 42" DECK RAIL 3-RAIL CUSTOM PANEL	REV A
SCALE: NOT TO SCALE	DRAWN BY: BILL K	DATE: 3/24/06	SHEET: N/A

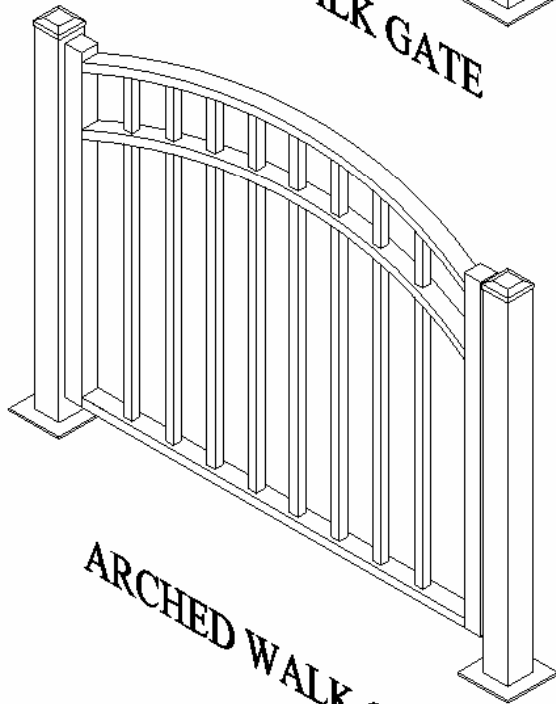
HANDRAIL WALK GATES



STANDARD WALK GATE

STANDARD GATES

COMPARABLE TO ALL VERSIONS OF HANDRAIL PANELS
 SELF-CLOSING HINGES AND SCREWS INCLUDED
 WELDED FRAME
 FABRICATED TO FIT STANDARD OR CUSTOM OPENINGS
 LATCHES SOLD SEPARATELY

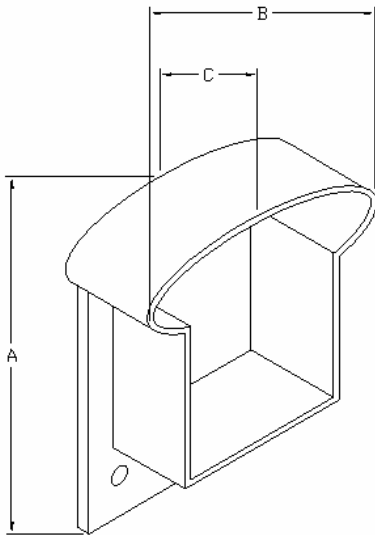


ARCHED WALK GATE

ARCHED GATES

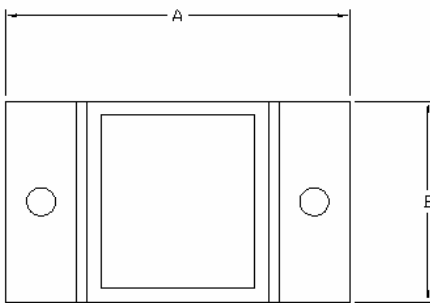
1" x 2" U-CHANNEL HORIZONTAL RAILS
 SELF-CLOSING HINGES AND SCREWS INCLUDED
 ALL WELDED CONSTRUCTION
 FABRICATED TO FIT STANDARD OR CUSTOM OPENINGS
 LATCHES SOLD SEPARATELY

		333 WELTON STREET HAMDEN, CT 06517 (800) 243-6256	
		SIZE: A	FILE: HR
SCALE: NOT TO SCALE	DRAWN BY: BILL K	DATE: 2/28/06	SHEET: N/A



STRAIGHT WALLMOUNT
TOP RAIL

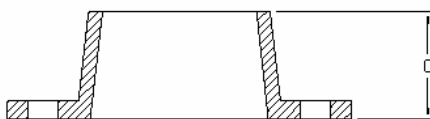
DIMENSIONS		
A	HEIGHT	3- $\frac{1}{8}$ "
B	WIDTH	2- $\frac{3}{4}$ "
C	DEPTH	1- $\frac{1}{16}$ "



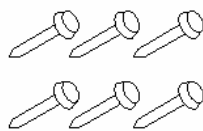
TOP VIEW

STRAIGHT WALLMOUNT
BOTTOM RAIL

DIMENSIONS		
A	HEIGHT	3- $\frac{5}{8}$ "
B	WIDTH	2- $\frac{1}{8}$ "
C	DEPTH	1- $\frac{3}{16}$ "



CROSS-SECTION
VIEW

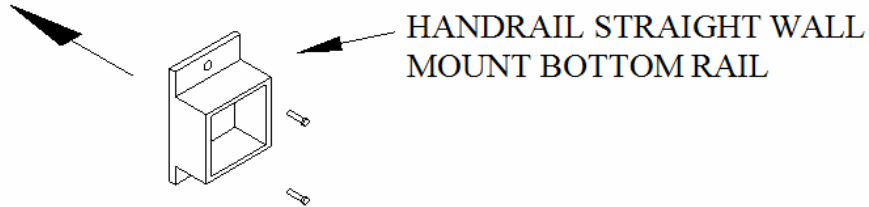
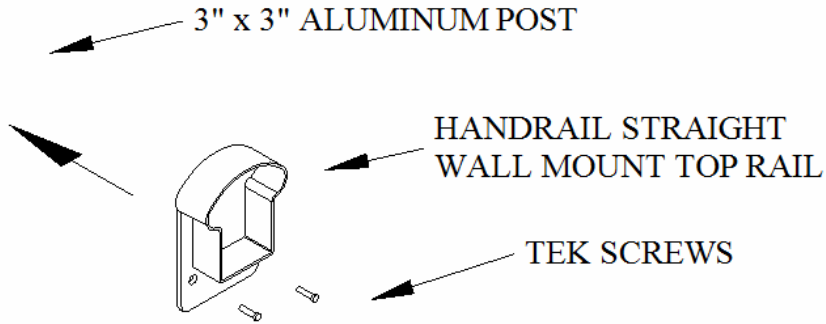
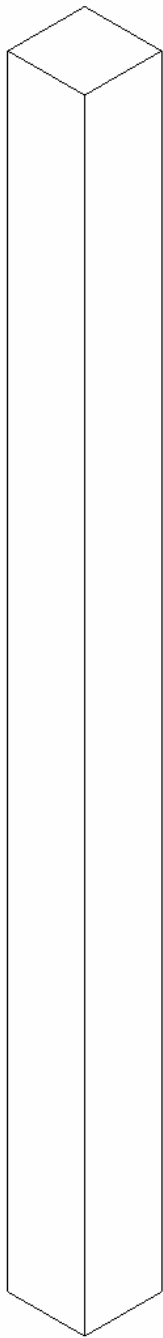


(6) #8 x 1"
TEK SCREWS




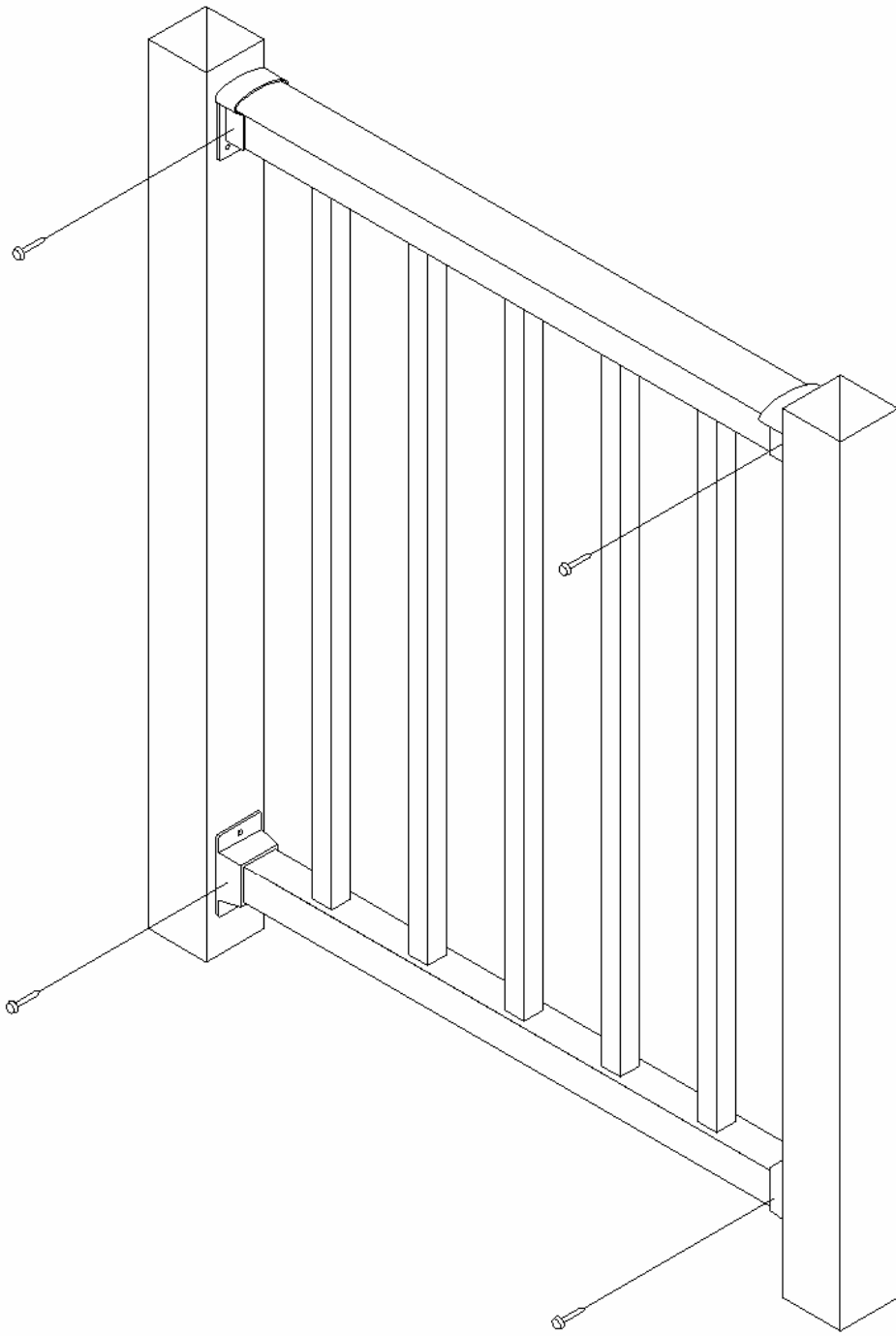
333 WELTON STREET
HAMDEN, CT 06517
(800) 243-6256

SIZE A	FILE:	PART NAME: STRAIGHT WALL MOUNT PKG	REV A
SCALE: NOT TO SCALE	DRAWN BY: BILL K	DATE: 4/7/06	SHEET: N/A



ATTACH WALL MOUNTS TO BLANK POST

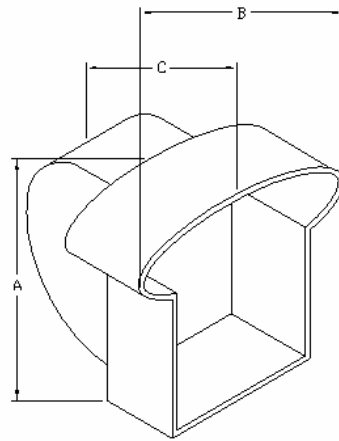
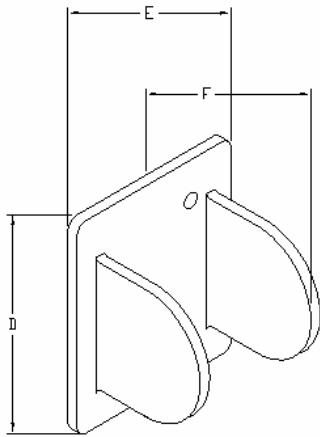
		333 WELTON STREET HAMDEN, CT 06517 (800) 243-6256	
		SIZE: A SCALE: NOT TO SCALE	FILE: DRAWN BY: BILL K



SPECRAIL
FENCES WITHOUT BOUNDARIES

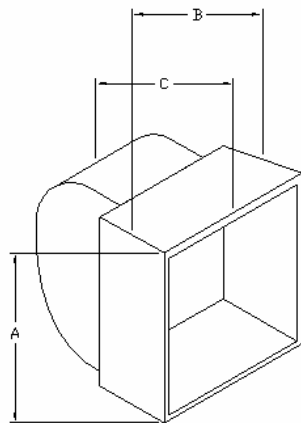
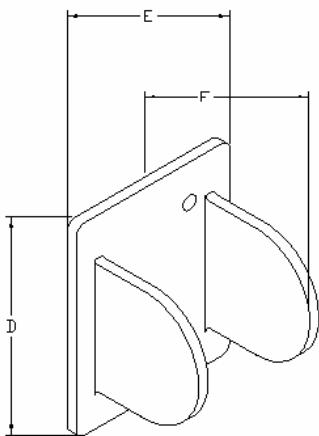
333 WELTON STREET
HAMDEN, CT 06517
(800) 243-6256

SIZE A	FILE:	PART NAME: STRAIGHT WALLMOUNT HANDRAIL APPLICATION	REV A
SCALE: NOT TO SCALE	DRAWN BY: BILL K	DATE: 2/28/06	SHEET: N/A



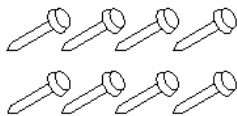
VERTICAL SWIVEL MOUNT
TOP RAIL

END CUP		
A	HEIGHT	2- ³ / ₁₆ "
B	WIDTH	2- ⁷ / ₈ "
C	DEPTH	2- ¹ / ₈ "
BASE PLATE		
A	HEIGHT	2- ¹ / ₂ "
B	WIDTH	2- ¹ / ₂ "
C	DEPTH	1- ¹ / ₂ "



VERTICAL SWIVEL MOUNT
BOTTOM RAIL

END CUP		
A	HEIGHT	1- ¹⁵ / ₁₆ "
B	WIDTH	1- ¹⁵ / ₁₆ "
C	DEPTH	2- ¹ / ₈ "
BASE PLATE		
A	HEIGHT	2- ¹ / ₂ "
B	WIDTH	2- ¹ / ₂ "
C	DEPTH	1- ¹ / ₂ "

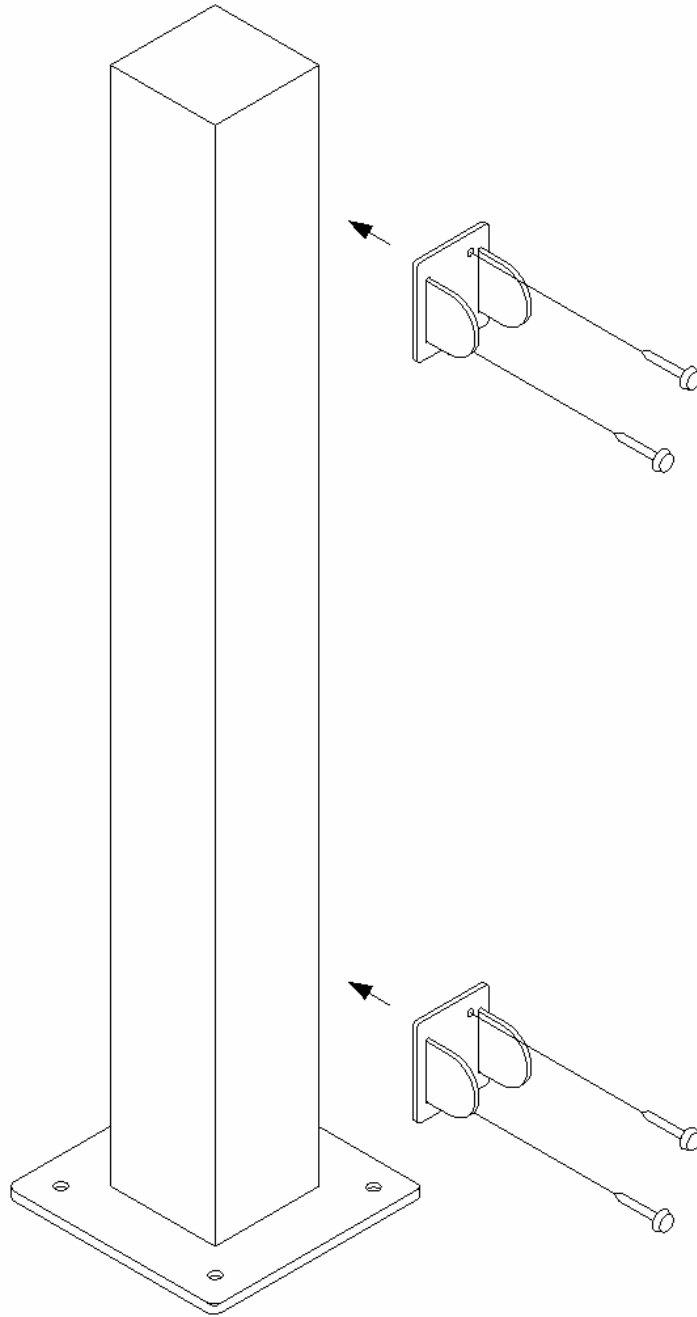


(8) #8 x 1"
TEK SCREWS



333 WELTON STREET
HAMDEN, CT 06517
(800) 243-6256

SIZE A	FILE:	PART NAME: VERTICAL SWIVEL MOUNT PKG	REV A
SCALE: NOT TO SCALE	DRAWN BY: BILL K	DATE: 4/7/06	SHEET: N/A

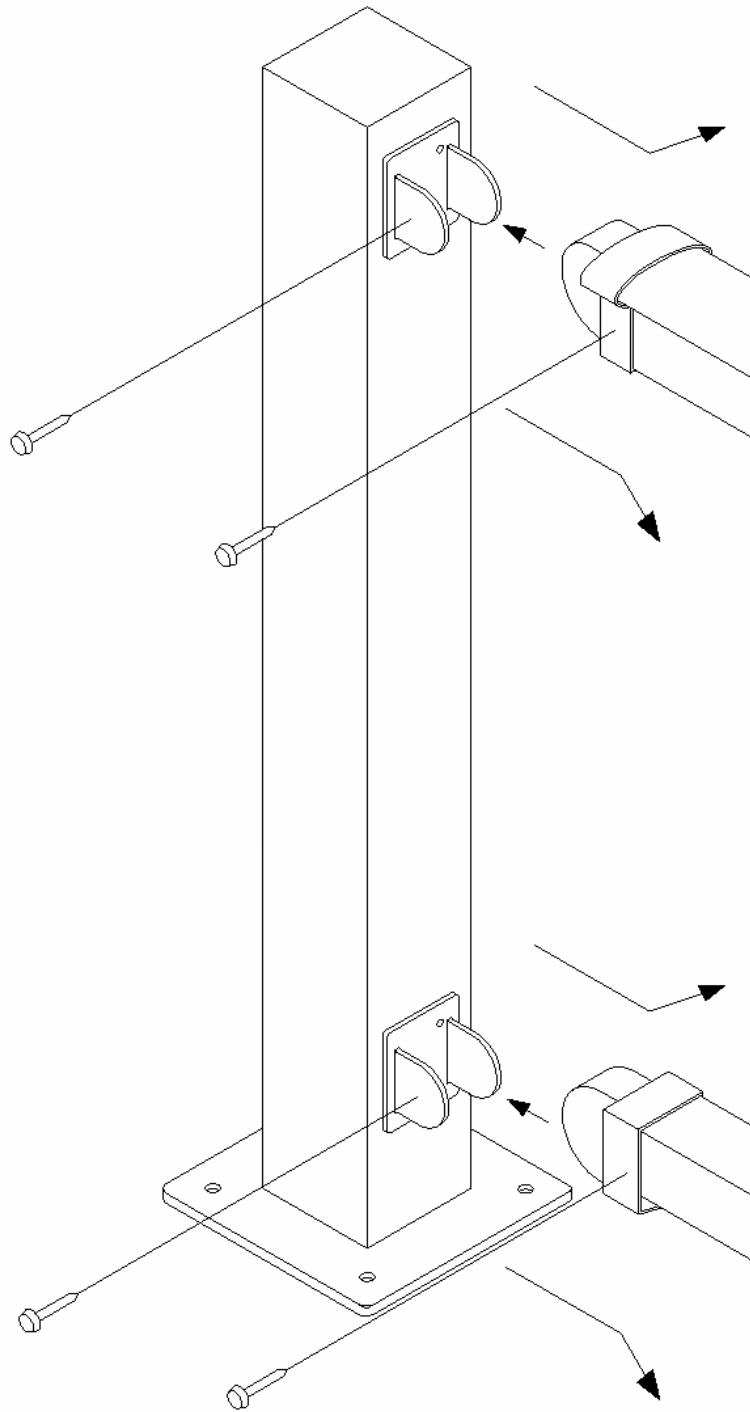


SPECRAIL

FENCES WITHOUT BOUNDARIES

333 WELTON STREET
 HAMDEN, CT 06517
 (800) 243-6256

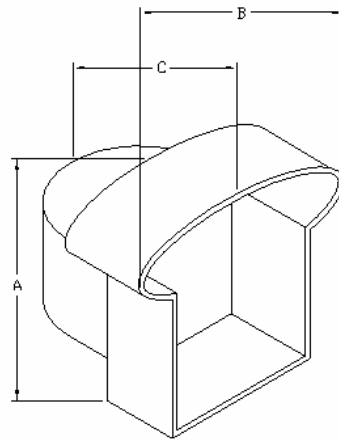
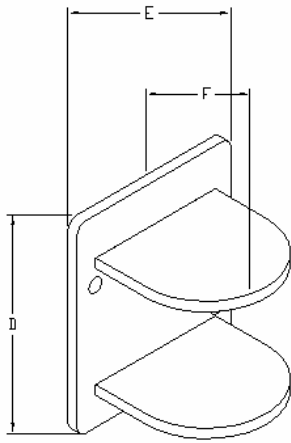
SIZE A	FILE:	PART NAME: HANDRAIL VERTICAL SWIVEL MOUNT BASE PLATE INSTALLATION	REV A
SCALE: NOT TO SCALE	DRAWN BY: BILL K	DATE: 4/7/06	SHEET: N/A



333 WELTON STREET
 HAMDEN, CT 06517
 (800) 243-6256

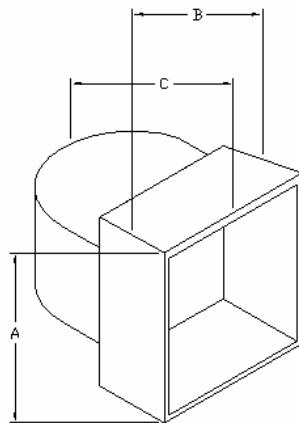
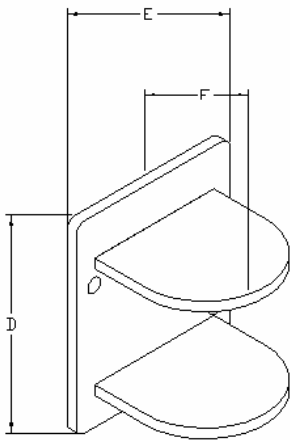
SPECRAIL
FENCES WITHOUT BOUNDARIES

SIZE	FILE:	PART NAME:	REV
A		HANDRAIL VERTICAL SWIVEL MOUNT APPLICATION AND INSTALLATION	A
SCALE:	DRAWN BY:	DATE:	SHEET:
NOT TO SCALE	BILL K	4/7/06	N/A



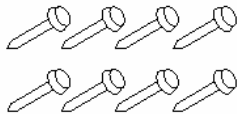
HORIZONTAL SWIVEL MOUNT
TOP RAIL

END CUP		
A	HEIGHT	2- $\frac{3}{16}$ "
B	WIDTH	2- $\frac{7}{8}$ "
C	DEPTH	2- $\frac{1}{8}$ "
BASE PLATE		
A	HEIGHT	2- $\frac{1}{2}$ "
B	WIDTH	2- $\frac{1}{2}$ "
C	DEPTH	1- $\frac{1}{2}$ "



HORIZONTAL SWIVEL MOUNT
BOTTOM RAIL

END CUP		
A	HEIGHT	1- $\frac{15}{16}$ "
B	WIDTH	1- $\frac{15}{16}$ "
C	DEPTH	2- $\frac{1}{8}$ "
BASE PLATE		
A	HEIGHT	2- $\frac{1}{2}$ "
B	WIDTH	2- $\frac{1}{2}$ "
C	DEPTH	1- $\frac{1}{2}$ "

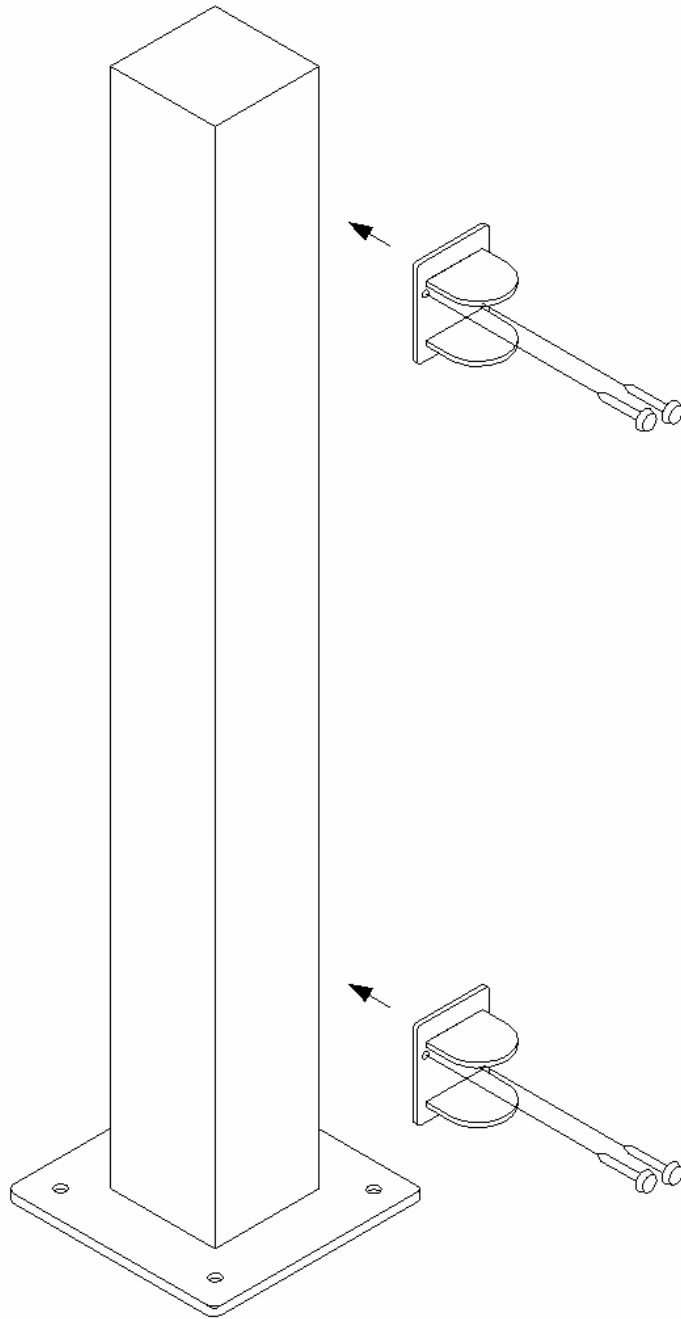



(8) #8 x 1"
TEK SCREWS



333 WELTON STREET
HAMDEN, CT 06517
(800) 243-6256

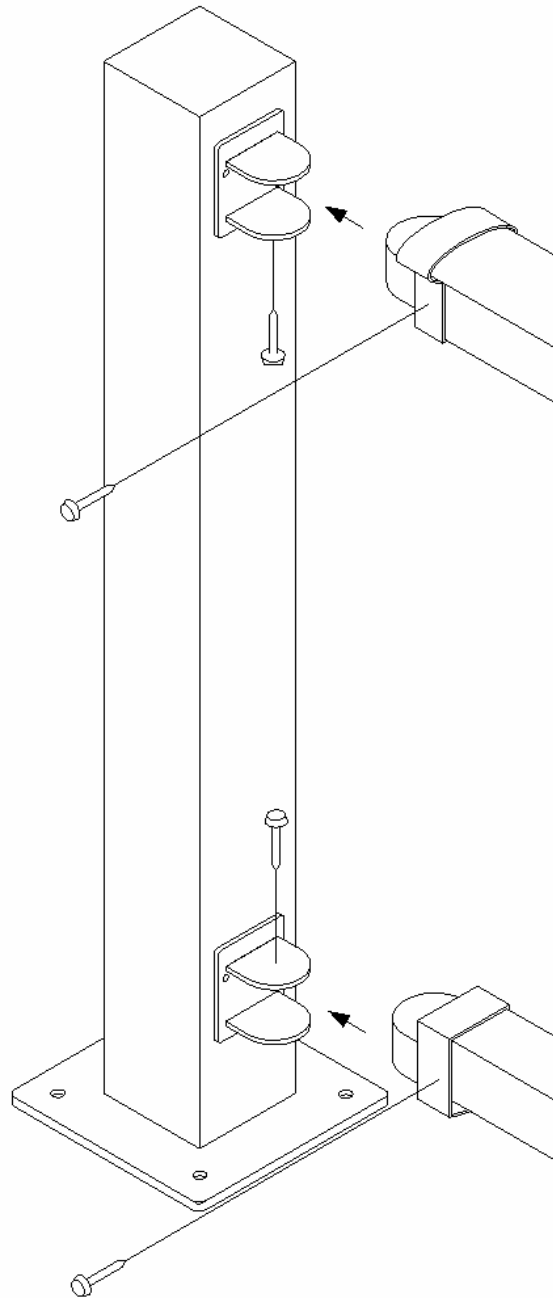
SIZE A	FILE:	PART NAME: HORIZONTAL SWIVEL MOUNT PKG	REV A
SCALE: NOT TO SCALE	DRAWN BY: BILL K	DATE: 4/7/06	SHEET: N/A





333 WELTON STREET
 HAMDEN, CT 06517
 (800) 243-6256

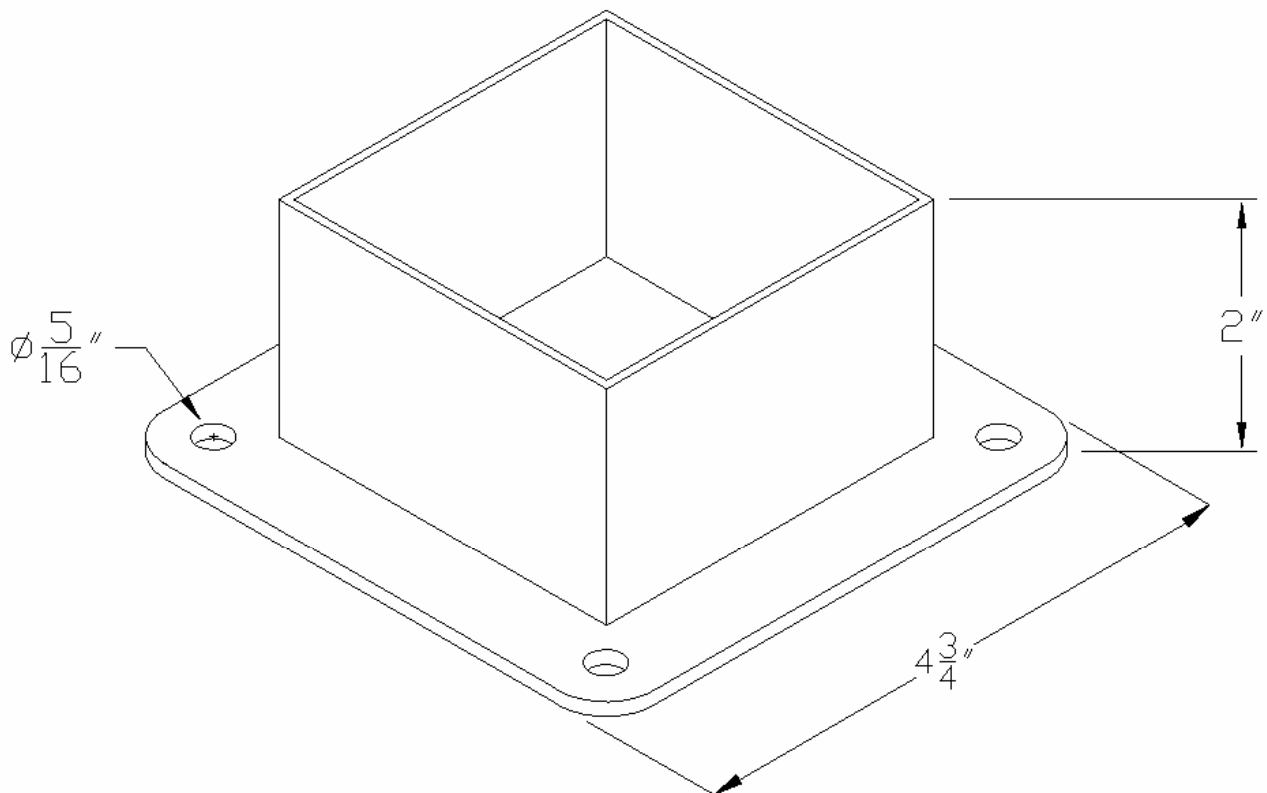
SIZE	FILE:	PART NAME:	REV
A		HANDRAIL HORIZ SWIVEL MOUNT BASE PLATE INSTALLATION	A
SCALE:	DRAWN BY:	DATE:	SHEET:
NOT TO SCALE	BILL K	4/7/06	N/A




333 WELTON STREET
 HAMDEN, CT 06517
 (800) 243-6256

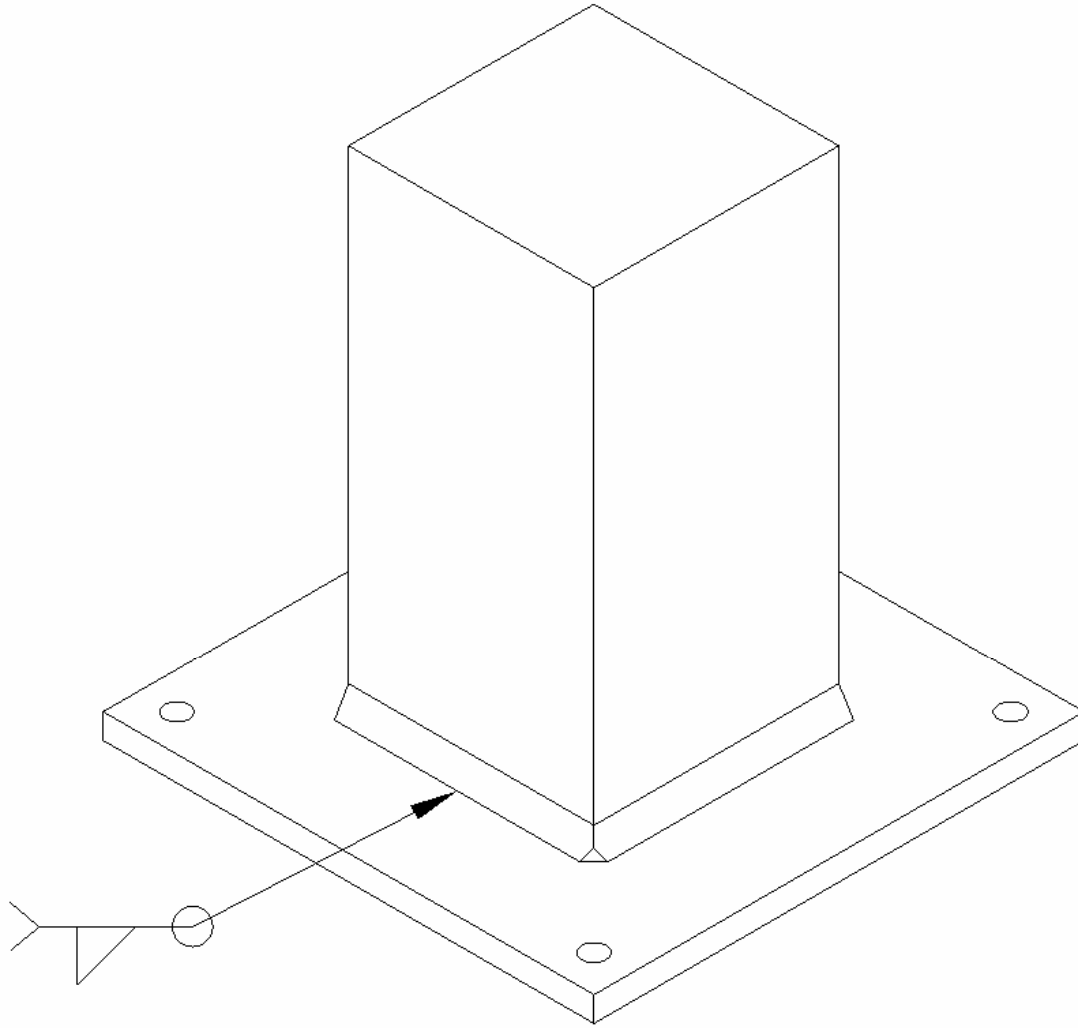
SPECRAIL
 FENCES WITHOUT BOUNDARIES

SIZE	FILE:	PART NAME:	REV
A		HANDRAIL HORIZONTAL SWIVEL MOUNT APPLICATION AND INSTALLATION	A
SCALE:	DRAWN BY:	DATE:	SHEET:
NOT TO SCALE	BILL K	4/7/06	N/A




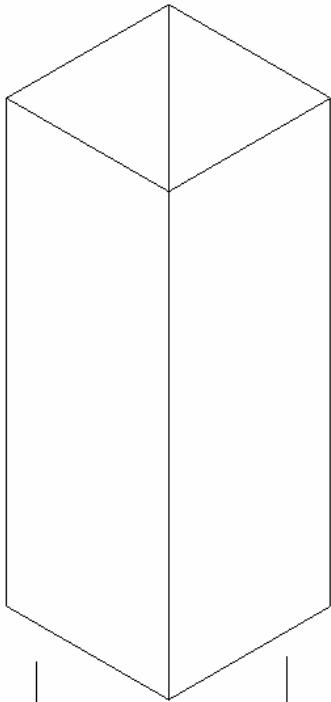
SPECRAIL, POST DECK MOUNT BRACKET
3" INDUSTRIAL POST

		333 WELTON STREET HAMDEN, CT 06517 (800) 243-6256	
SIZE: A	FILE:	PART NAME: 3 in POST DECK MOUNT BRACKET	REV: A
SCALE: NOT TO SCALE	DRAWN BY: BILL K	DATE: 2/28/06	SHEET: N/A

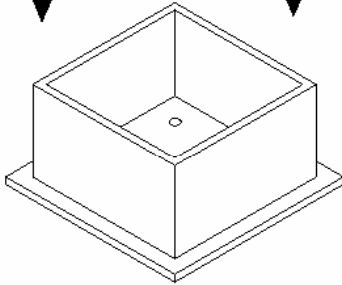


SPECRAIL
 Welded Plate On Post
 3" SQUARE POST, 6" SQUARE PLATE SHOWN
 WELDED ALL AROUND POST

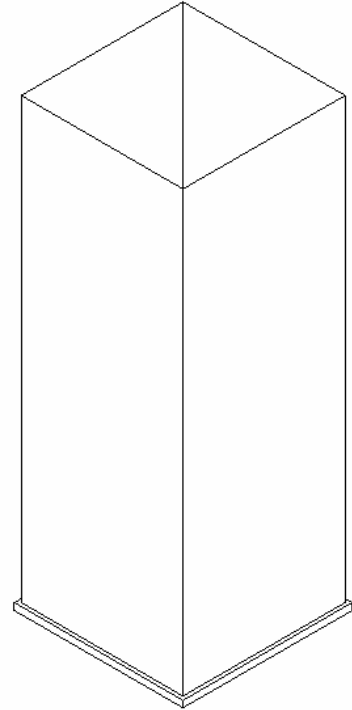
 SPECRAIL <small>FENCES WITHOUT BOUNDARIES</small>		333 WELTON STREET HAMDEN, CT 06517 (800) 243-6256	
SIZE A	FILE:	PART NAME: PLATE WELDED ON 3" POST	REV A
SCALE: NOT TO SCALE	DRAWN BY: BILL K	DATE: 2/28/06	SHEET: N/A



3" POST



3" INTERNAL
DECK MOUNT



SPECRAIL, INTERNAL POST DECK MOUNT
BRACKET 3" INDUSTRIAL POST

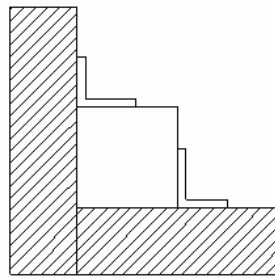


SPECRAIL

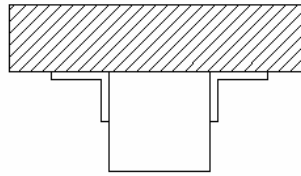
FENCES WITHOUT BOUNDARIES

333 WELTON STREET
HAMDEN, CT 06517
(800) 243-6256

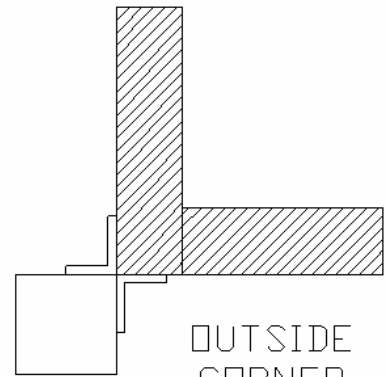
SIZE A	FILE:	PART NAME: 3 in POST INTERNAL DECK MOUNT BRACKET	REV A
SCALE: NOT TO SCALE	DRAWN BY: BILL K	DATE: 9/11/06	SHEET: N/A



INSIDE CORNER



STRAIGHT MOUNT



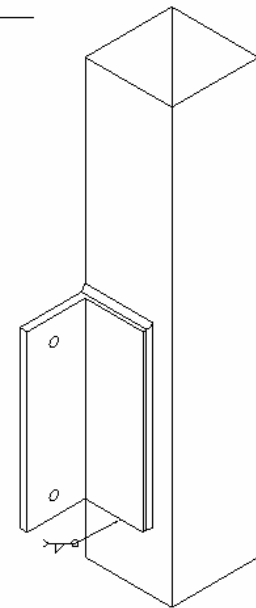
OUTSIDE CORNER

CUSTOM BRACKETING FOR FACEMOUNT POST

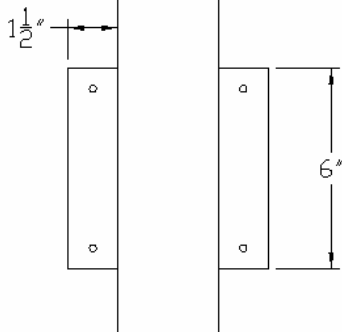
ALLOWS FOR FULL USE OF DECK SPACE

CAN BE CUSTOM CONFIGURED FOR ANY DECK LAYOUT


CALL FOR PRICING



NOTE: 1-1/2" x 6" ANGLE PLATE WELDED TO 3" POST



NOTE: 1-1/2" x 6" ANGLE PLATE WELDED TO 3" POST



333 WELTON STREET
HAMDEN, CT 06517
(800) 243-6256

SIZE A	FILE:	PART NAME: CUSTOM FACE MOUNT POST WITH WELDED MOUNTING TABS	REV A
SCALE: NOT TO SCALE	DRAWN BY: BILL K	DATE: 8/8/06	SHEET: N/A

SPECRAIL ALUMINUM ORNAMENTAL FENCE Lifetime Limited Warranty

Thank you for purchasing SPECRAIL aluminum ornamental fencing. We are proud of our product and are pleased to warrant its electrostatically applied organically painted fence for a lifetime from date of purchase. We guarantee the finish will not crack, check, or peel (lose adhesion).

In addition, Specrail warrants that their fence will remain serviceable and structurally sound for a lifetime. This warranty covers materials and workmanship only.

Specrail is proud to offer this warranty under the following conditions:

- a. SPECRAIL reserves the right to inspect product under claim and to determine whether to repair or replace the same. Product or material required to be shipped prepaid only at written direction of SPECRAIL.
- b. Warranty excludes product failure caused by negligence, abuse, accident, shipping, mishandling, improper use or installation, exposure to corrosive elements or acts of God.

Except as specifically provided herein, SPECRAIL makes no other warranties express or implied.

All claims are to be made in writing addressed to SPECRAIL, 129 Leeder Hill Drive, Hamden, CT 06517.

This warranty is not transferable. Proof of purchase is required.

Installation date:

Address:

Dealer Signature:

Porce-Len, Inc./Specrail
129 Leeder Hill Drive
Hamden, Connecticut 06517