



D[®] **MAGNALatch**[®] *Series 3*

Because you can't turn your back for a second



- NEW** • Lift knob is more ergonomic and child resistant
- NEW** • Visual Indicator provides locked and unlocked status
- NEW** • 6-pin re-keyable security lock

Tested to 2 million cycles!
Up to 50% stronger!

Featuring more than a dozen **NEW** improvements.
See inside for more details.



Why MAGNALatch[®] Series 3 is the world's most trusted safety gate latch.

It's impossible to keep an eye on kids all the time. That's why, for the past 25 years, millions of families have trusted MagnaLatch to keep children safe around residential and public pools, homes, childcare centers, and wherever safety is needed.

Now there's the new MagnaLatch Series 3. It's the safest, toughest MagnaLatch yet.

MagnaLatch Series 3 includes a new visible Lock Indicator, 6 pin re-keyable security lock, vertical & horizontal alignment indicators, and much more. It's been tested to 2 million cycles and it's 50% stronger than before.

Simply put, it means you can recommend and install the new MagnaLatch Series 3 with confidence knowing that it's the world's #1 child safety gate latch.

Manufactured and continuously tested in our own facilities, under ISO9001 quality standards, MagnaLatch consistently provides the highest level of quality and performance available.

Quality is never outsourced at D&D!



NEW - Safer, ergonomic lift knob. With its new design, the lift knob is now more child resistant than ever.



NEW - Visible Lock Indicator. Shows you at-a-glance whether MagnaLatch is locked or unlocked. Simple peace of mind.



NEW - Rekeyable Security Lock. The 6-pin lock can be rekeyed to match other locks around the property making safety more convenient.



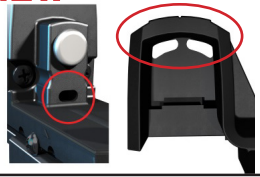
Product traceability and proven superior quality manufacturing.



NEW - T-track innovation. Both latch body and striker offer superior fixing strength and unsurpassed reliability.

Superior performance in extreme climates

NEW



- Improved drainage in latch & striker
- Sloping features channel water out

NEW



- High collar under lift knob prevents water entry

NEW



- Most intraday movement allowance in the industry

NEW



- Protective shroud over key helps prevent water entry into lock cylinder

NEW



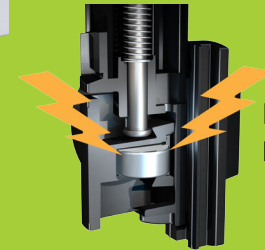
- Space under lift knob helps prevent it from freezing to top housing



LIMITED LIFETIME WARRANTY



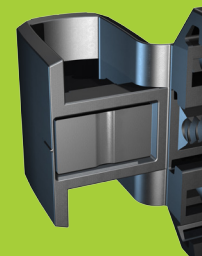
NEW - Built-in post cap spacing. No more need for separate post cap spacers.



Industry leading magnetic latching technology.



NEW - Easier adjustment. The innovative vertical and horizontal adjustment makes MagnaLatch even simpler to install and adjust for ground shift or gate sag.



Permanent magnet sealed from the elements.



NEW - Alignment indicators. Now you know when your gate is in proper alignment and makes adjusting for gate sag even easier.



NEW MagnaLatch® Top Pull

With its release knob out of reach of children, the MagnaLatch Top Pull sets the standard for safety gates around swimming pools, childcare centers or wherever safety is critical. No wonder it's the world's most trusted safety gate latch.

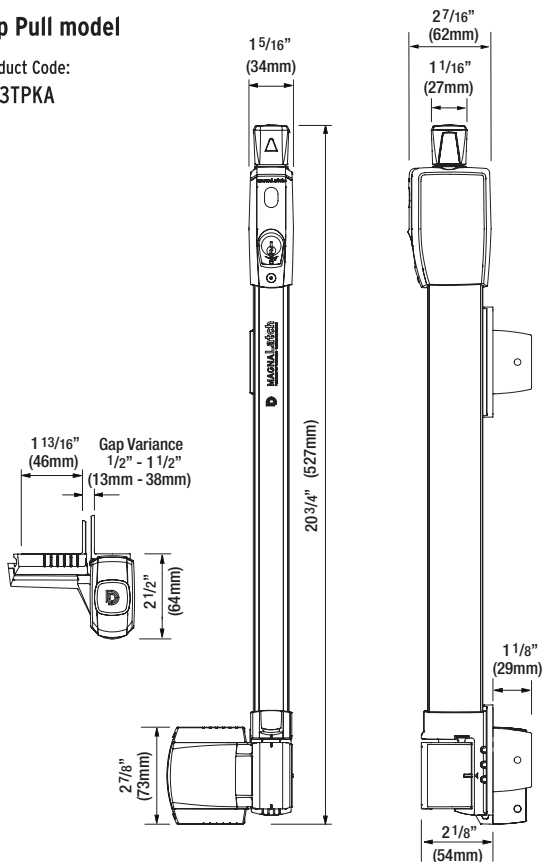


NEW MagnaLatch® Vertical Pull

Perfect for pet security gates and general gates around the home. MagnaLatch Vertical Pull offers the same innovative design as MagnaLatch Top Pull, only in a smaller, more compact model.

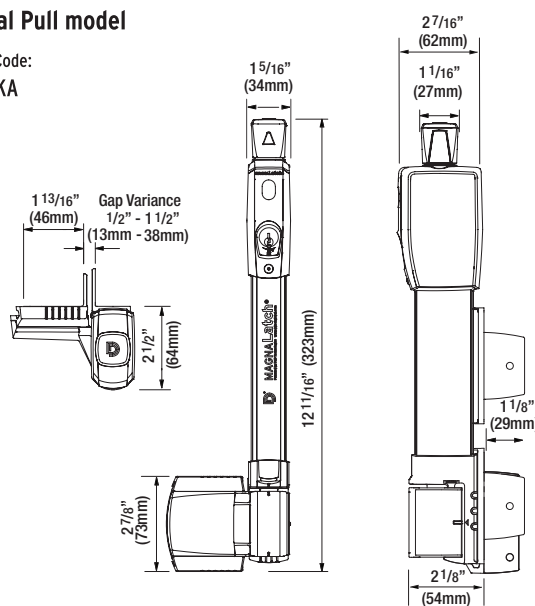
Top Pull model

Product Code:
ML3TPKA



Vertical Pull model

Product Code:
ML3VPKA



MagnaLatch Series 3 - For metal, wood, and vinyl gates

PREVIOUS SKU	NEW SKU	MODEL FEATURE	COLOR
MLTPS2BGA	ML3TPKA	Top Pull - 6-Pin Lock - Keyed Alike	Black
MLVPS2BGA	ML3VPKA	Vertical Pull - 6-Pin Lock - Keyed Alike	Black
MTSTDKS2	MTSTDKS3KA*	Top Pull Kit* - 6-Pin Lock - Keyed Alike	Black
MLSPACER	MLSPACER	2" Gap Spacer - Works with ML2 & ML3	Black

*Kit includes (1) ML3TPKA + (1)pr TCAIS3BT + (1) TCACAPS3 safety cap
NOTE: For white models or round post adapter kit, use MagnaLatch Series 2.

What's next?



MAGNALATCH® ALERT

with integrated alarm.

In a first for MagnaLatch, the range will soon include the new top-of-the-line MagnaLatch ALERT. This electronic model features an audible alarm and flashing lights, so you can hear and see from a distance, or even from the house, when a gate fitted with MagnaLatch is left open or unlatched.

It's like being able to keep an eye on safety, even when your back is turned. Put simply, it offers unparalleled security for toddlers around pools and other critical safety areas.



Combine MagnaLatch® and TruClose® Series 3 hinges for ultimate safety & security.

Because MagnaLatch's innovative magnetic triggering offers absolutely no resistance to closing, when partnered with our best-selling gate hinges, you'll have the ultimate in reliable, safe & secure performance.



- D&D patented tension adjustment
- Adjust tension from either end
- No visible fasteners on latch or hinge
- Decorative trim covers included with all Series 3 hinges

Find out more at www.magnalatch.com

D&D Technologies
World's most trusted gate hardware

North & South America

7731 Woodwind Dr. Huntington Beach, CA 92647

Tel: (800) 716-0888 or (714) 677-1300

Fax: (714) 677-1299 E-mail: info@ddtechusa.com

Available at: